

Product information presented here reflects conditions at time of publication. Consult factory regarding discrepancies or inconsistencies.



MAIL TO: P.O. BOX 16347 • Louisville, KY 40256-0347
 SHIPTO: 3649 Cane Run Road • Louisville, KY 40211-1961
 TEL: (502) 778-2731 • 1 (800) 928-PUMP • FAX: (502) 774-3624

Visit our web site:
zoellerpumps.com

REPLACEMENT PARTS LIST FOR MODELS:

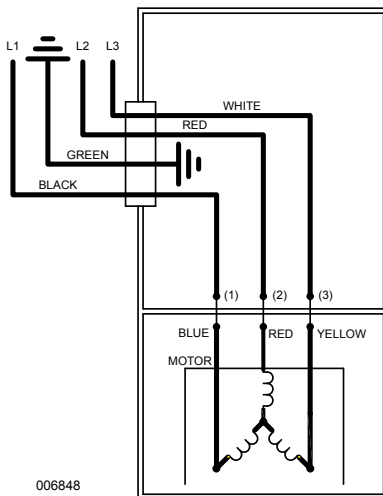
- E4290 NONAUTOMATIC/DOUBLE SEAL 230V/1PH
- I4290 NONAUTOMATIC/DOUBLE SEAL 200V/1PH
- F4290 NONAUTOMATIC/DOUBLE SEAL 230V/3PH
- G4290 NONAUTOMATIC/DOUBLE SEAL 460V/3PH
- J4290 NONAUTOMATIC/DOUBLE SEAL 200V/3PH
- BA4290 NONAUTOMATIC/DOUBLE SEAL 575V/3PH

Consult factory for all other models

TO ORDER REPLACEMENT PARTS:

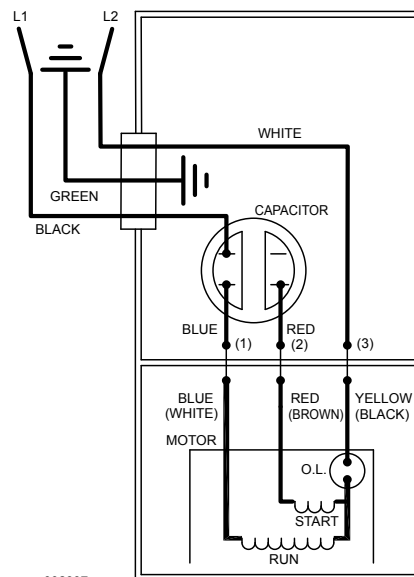
PLEASE FURNISH THE FOLLOWING INFORMATION:

- Model Number.
- Part Number of Pump.
- Part Number and Description of part.



006848

WIRING DIAGRAM FOR MODELS
 "F4290A thru C", "G4290A thru C",
 "J4290A thru C" & "BA4290A thru C" All Revisions
 3/96 thru Current



002397

WIRING DIAGRAM FOR MODELS
 "E4290A thru C" & "I4290A thru D" All Revisions
 3/96 thru Current

REPLACEMENT PARTS LIST FOR MODEL "E4290".

See back page for illustration.

				MODELS:	E4290-A	E4290-B	E4290-C
REF NO.		DESCRIPTION	QTY	NOTES	5/96 thru 6/01	7/01 thru 7/09	8/09 thru Current
1	•	Handle	1		217069	217069	217069
2		Cover & Cordage 16/3	1	5	011063	011063	011063
3	•	Cover-Mach & Handle Asm	1	5	011058	011058	011058
4	•	Gasket, Case/Cover	1		001011	001011	001011
5		Wire Pkg (2) Wires	1		011062	011062	011062
6		Capacitor & Clamp Asm 20uF	1		002381	002381	002381
7		Housing, Mtr-&Stator	1	1,3	002382	002382	019655
8		Bearing, Sleeve-Bronze	1		001012	001012	N/A
	•	Bearing, Radial			N/A	N/A	006703
9		Cordage, Terminal & Seal 50'	1	5	011059	011059	011059
10		Cordage, Terminal & Seal 50' Sensor	N/A		N/A	N/A	N/A
11		Seal, Cord Assembly & Strain Relief	1		011065	011065	011065
12	•	Plug, Test	3		034090	034090	034090
13	•	Seal, Thru Wall Terminal	3		003402	003402	003402
14		Rotor & Brg Asm	1		011061	011061	152402
15		Washer, Seal Locating & Snap Ring	1		011057	011057	011057
16	•	Bearing, 7303	1		009861	009861	009861
17	•	Seal, Mtr Hsg	2		001014	001014	001014
18	•	Oil, Dielectric	1		011066	011066	014118
19		Adapter-Mach. Upper	1		008862	008862	008862
20	•	Seal, Shaft-Upper	1	6	002430	014675	014675
	•	Seal, Shaft-Lower	1	7	002430	010992	010992
21		Adapter-Mach. Lower	1		008833	008833	008833
22		Impeller	1		011097	011097	011097
23		Flange Pkg 2" NPT	1		10-1305	10-1305	10-1305
		Flange Pkg 3" NPT	1		10-1306	10-1306	10-1306
24		Housing, Pump-Mach.	1		009349	009349	009349
25	•	Screw, #6-32 X .25RHM SL Tc Stlgr	3		001877	001877	001877
26	•	Screw, .25-20 X .75 HHm-SS	4		001916	001916	001916
27	•	Screw, .24-20 X 1 HHm-SS	4		007790	007790	007790
28	•	Screw, .5-13 X 2 HH Cap-SS	2		001909	001909	001909
29	•	Washer, SS 1.25Od X .562 Id X .078	2		002115	002115	002115
30	•	Screw, .313-18 X 1 HH Cap-SS	8		002608	002608	002608
31		Wire Asm - Mst Sensor	N/A		N/A	N/A	N/A
32	•	Seal, Sensor Cd Asm & Strain Relief	N/A		N/A	N/A	N/A
33		Spring, Bearing Preload	1		N/A	N/A	017192
34	•	Nut, Acorn	N/A		N/A	N/A	N/A
α		Rebuild Kit			011096	011096	019709

- Items included in Rebuild Kit.
- α Not Shown in Illustration.

NOTES:

- 1) Motor housing, bearing, stator & term. (Item 7) is preassembled at the factory and must be replaced as a unit. Stator is permanently attached to the motor housing. Plug (Item 12); seal thru wall term. (Item 13) and bearing-upper (Item 8) are replaceable.
- 2) "NA" indicates not applicable.
- 3) When ordering specify either General Electric or Emerson Motor.
- 4) See FM0160 parts price sheet for listing of parts prices.
- 5) Consult factory for pumps date coded prior to 5/96.
- 6) Shaft seal in Rev. A pumps may be replaced with Carbon - Silicon Carbide seal. Order part number from Rev. B column if customer desires this upgrade.
- 7) Shaft seal in Rev. A pumps may be replaced with Silicon Carbide - Silicon Carbide seal. Order part number from Rev. B column if customer desires this upgrade.

REPLACEMENT PARTS LIST FOR MODEL "I4290".

See back page for illustration.

				MODELS:			
REF NO.	DESCRIPTION	QTY	NOTES	I4290-A 5/96 thru 6/01	I4290-B 7/01 thru 4/03	I4290-C 5/03 thru 7/09	I4290-D 8/09 thru Current
1	• Handle	1		217069	217069	217069	217069
2	Cover & Cordage	1	5	011068	011068	016106	016106
3	Cover-Mach. & Handle Asm	1	5	011067	011067	016104	016104
4	• Gasket, Case/Cover	1		001011	001011	001011	001011
5	Wire Pkg (2) Wires	1		011062	011062	011062	011062
6	Capacitor & Clamp Asm	1		002381	002381	002381	002381
7	Housing, Mtr.-& Stator	1	1,3	005529	005529	005529	019654
8	Bearing, Sleeve-Bronze	1		001012	001012	001012	N/A
	• Bearing, Radial	1		N/A	N/A	N/A	006703
9	Cordage, Term & Seal	1		011069	011069	016110	016110
10	Cordage, Terminal & Seal 50' Sensor	N/A		N/A	N/A	N/A	N/A
11	• Seal, Cord-Asm & Strain Relief	1		004375	004375	015634	015634
12	• Plug, Test	3		034090	034090	034090	034090
13	• Seal, Thru Wall Terminal	3		003402	003402	003402	003402
14	Rotor & Brg Asm	1		011061	011061	011061	152402
15	Washer, Seal Locating & Snap Ring	1		011057	011057	011057	011057
16	• Bearing, 7303	1		009861	009861	009861	009861
17	• Seal, Mtr Hsg	2		001014	001014	001014	001014
18	• Oil, Dielectric	1		011066	011066	011066	014118
19	Adapter-Mach. Upper	1		008862	008862	008862	008862
20	• Seal, Shaft-Upper	1	6	002430	014675	014675	014675
	• Seal, Shaft-Lower	1	7	002430	010992	010992	010992
21	Adapter-Mach. Lower	1		008833	008833	008833	008833
22	Impeller	1		011097	011097	011097	011097
23	Flange Pkg 2" NPT	1		10-1305	10-1305	10-1305	10-1305
	Flange Pkg 3" NPT	1		10-1306	10-1306	10-1306	10-1306
24	Housing, Pump-Mach.	1		009349	009349	009349	009349
25	• Screw, #6-32 X .25RHM SL Tc Stlgr	3		001877	001877	001877	001877
26	• Screw, .25-20 X .75 HHm-SS	4		001916	001916	001916	001916
27	• Screw, .24-20 X 1 HHm-SS	4		007790	007790	007790	007790
28	• Screw, .5-13 X 2 HH Cap-SS	2		001909	001909	001909	001909
29	• Washer, SS 1.25Od X .562 Id X .078	2		002115	002115	002115	002115
30	• Screw, .313-18 X 1 HH Cap-SS	8		002608	002608	002608	002608
31	Wire Asm - Mst Sensor	N/A		N/A	N/A	N/A	N/A
32	• Seal, Sensor Cd Asm & Strain Relief	N/A		N/A	N/A	N/A	N/A
33	Spring, Bearing Preload	1		N/A	N/A	N/A	017192
34	• Nut, Acorn	N/A		N/A	N/A	N/A	N/A
▣	Rebuild Kit			011095	011095	016244	019709

• Items included in Rebuild Kit.

▣ Not Shown in Illustration.

NOTES:

- 1) Motor housing, bearing, stator & term. (Item 7) is preassembled at the factory and must be replaced as a unit. Stator is permanently attached to the motor housing. Plug (Item 12); seal thru wall term. (Item 13) and bearing-upper (Item 8) are replaceable.
- 2) "NA" indicates not applicable.
- 3) When ordering specify either General Electric or Emerson Motor.
- 4) See FM0160 parts price sheet for listing of parts prices.
- 5) Consult factory for pumps date coded prior to 5/96.
- 6) Shaft seal in Rev. A pumps may be replaced with Carbon - Silicon Carbide seal. Order part number from Rev. B column if customer desires this upgrade.
- 7) Shaft seal in Rev. A pumps may be replaced with Silicon Carbide - Silicon Carbide seal. Order part number from Rev. B column if customer desires this upgrade.

REPLACEMENT PARTS LIST FOR MODEL "BA4290".

See back page for illustration.

MODELS:				BA4290-A	BA4290-B	BA4290-C	
REF NO.		DESCRIPTION	QTY	NOTES	5/96 thru 6/01	7/01 thru 7/09	8/09 thru Current
1	•	Handle	1		217069	217069	217069
2		Cover & Cordage 16/4	1	5	011072	011072	011072
3	•	Cover-Mach & Handle Asm	1	5	011058	011058	011058
4	•	Gasket, Case/Cover	1		001011	001011	001011
5		Wire Pkg (2) Wires	1		N/A	N/A	N/A
6		Capacitor & Clamp Asm 20uF	1		N/A	N/A	N/A
7		Housing, Mtr-&Stator	1	1,3	006287	006287	019659
8		Bearing, Sleeve-Bronze	1		001012	001012	N/A
	•	Bearing, Radial			N/A	N/A	006703
9		Cordage, Terminal & Seal 50'	1	5	011070	011070	011070
10		Cordage, Terminal & Seal 50' Sensor	N/A		N/A	N/A	N/A
11		Seal, Cord Assembly & Strain Relief	1		011071	011071	011071
12	•	Plug, Test	3		034090	034090	034090
13	•	Seal, Thru Wall Terminal	3		003402	003402	003402
14		Rotor & Brg Asm	1		012675	012675	152403
15		Washer, Seal Locating & Snap Ring	1		011057	011057	011057
16	•	Bearing, 7303	1		009861	009861	009861
17	•	Seal, Mtr Hsg	2		001014	001014	001014
18	•	Oil, Dielectric	1		011066	011066	014118
19		Adapter-Mach. Upper	1		008862	008862	008862
20	•	Seal, Shaft-Upper	1	6	002430	014675	014675
	•	Seal, Shaft-Lower	1	7	002430	010992	010992
21		Adapter-Mach. Lower	1		008833	008833	008833
22		Impeller	1		011074	011074	011074
23		Flange Pkg 2" NPT	1		10-1305	10-1305	10-1305
		Flange Pkg 3" NPT	1		10-1306	10-1306	10-1306
24		Housing, Pump-Mach.	1		009349	009349	009349
25	•	Screw, #6-32 X .25RHM SL Tc Stlgr	3		001877	001877	001877
26	•	Screw, .25-20 X .75 HHm-SS	4		001916	001916	001916
27	•	Screw, .24-20 X 1 HHm-SS	4		007790	007790	007790
28	•	Screw, .5-13 X 2 HH Cap-SS	2		001909	001909	001909
29	•	Washer, SS 1.25Od X .562 Id X .078	2		002115	002115	002115
30	•	Screw, .313-18 X 1 HH Cap-SS	8		002608	002608	002608
31		Wire Asm - Mst Sensor	N/A		N/A	N/A	N/A
32	•	Seal, Sensor Cd Asm & Strain Relief	N/A		N/A	N/A	N/A
33		Spring, Bearing Preload	1		N/A	N/A	017192
34	•	Nut, Acorn	1		004351	004351	004351
α		Rebuild Kit			011093	011093	019709

• Items included in Rebuild Kit.

α Not Shown in Illustration.

NOTES:

- 1) Motor housing, bearing, stator & term. (Item 7) is preassembled at the factory and must be replaced as a unit. Stator is permanently attached to the motor housing. Plug (Item 12); seal thru wall term. (Item 13) and bearing-upper (Item 8) are replaceable.
- 2) "NA" indicates not applicable.
- 3) When ordering specify either General Electric or Emerson Motor.
- 4) See FM0160 parts price sheet for listing of parts prices.
- 5) Consult factory for pumps date coded prior to 5/96.
- 6) Shaft seal in Rev. A pumps may be replaced with Carbon - Silicon Carbide seal. Order part number from Rev. B column if customer desires this upgrade.
- 7) Shaft seal in Rev. A pumps may be replaced with Silicon Carbide - Silicon Carbide seal. Order part number from Rev. B column if customer desires this upgrade.

REPLACEMENT PARTS LIST FOR MODEL "F4290".

See back page for illustration.

		MODELS:		F4290-A	F4290-B	F4290-C	
REF NO.		DESCRIPTION	QTY	NOTES	5/96 thru 6/01	7/01 thru 7/09	8/09 thru Current
1	•	Handle	1		217069	217069	217069
2		Cover & Cordage	1	5	011072	011072	011072
3	•	Cover-Mach & Handle Asm	1	5	011058	011058	011058
4	•	Gasket, Case/Cover	1		001011	001011	001011
5		Wire Pkg (2) Wires	1		N/A	N/A	N/A
6		Capacitor & Clamp Asm 20uF	1		N/A	N/A	N/A
7		Housing, Mtr-&Stator	1	1,3	005472	005472	019657
8		Bearing, Sleeve-Bronze	1		001012	001012	N/A
	•	Bearing, Radial		N/A	N/A	006703	
9		Cordage, Terminal & Seal 50'	1	5	011070	011070	011070
10		Cordage, Terminal & Seal 50' Sensor	N/A		N/A	N/A	N/A
11		Seal, Cord Assembly & Strain Relief	1		011071	011071	011071
12	•	Plug, Test	3		034090	034090	034090
13	•	Seal, Thru Wall Terminal	3		003402	003402	003402
14		Rotor & Brg Asm	1		012675	012675	152403
15		Washer, Seal Locating & Snap Ring	1		011057	011057	011057
16	•	Bearing, 7303	1		009861	009861	009861
17	•	Seal, Mtr Hsg	2		001014	001014	001014
18	•	Oil, Dielectric	1		011066	011066	014118
19		Adapter-Mach. Upper	1		008862	008862	008862
20	•	Seal, Shaft-Upper	1	6	002430	014675	014675
	•	Seal, Shaft-Lower	1	7	002430	010992	010992
21		Adapter-Mach. Lower	1		008833	008833	008833
22		Impeller	1		011074	011074	011074
23		Flange Pkg 2" NPT	1		10-1305	10-1305	10-1305
		Flange Pkg 3" NPT	1		10-1306	10-1306	10-1306
24		Housing, Pump-Mach.	1		009349	009349	009349
25	•	Screw, #6-32 X .25RHM SL Tc Stlgr	3		001877	001877	001877
26	•	Screw, .25-20 X .75 HHm-SS	4		001916	001916	001916
27	•	Screw, .24-20 X 1 HHm-SS	4		007790	007790	007790
28	•	Screw, .5-13 X 2 HH Cap-SS	2		001909	001909	001909
29	•	Washer, SS 1.25Od X .562 Id X .078	2		002115	002115	002115
30	•	Screw, .313-18 X 1 HH Cap-SS	8		002608	002608	002608
31		Wire Asm - Mst Sensor	N/A		N/A	N/A	N/A
32	•	Seal, Sensor Cd Asm & Strain Relief	N/A		N/A	N/A	N/A
33		Spring, Bearing Preload	1		N/A	N/A	017192
34	•	Nut, Acorn	1		004351	004351	004351
☒		Rebuild Kit			011093	011093	019709

• Items included in Rebuild Kit.

☒ Not Shown in Illustration.

NOTES:

- 1) Motor housing, bearing, stator & term. (Item 7) is preassembled at the factory and must be replaced as a unit. Stator is permanently attached to the motor housing. Plug (Item 12); seal thru wall term. (Item 13) and bearing-upper (Item 8) are replaceable.
- 2) "NA" indicates not applicable.
- 3) When ordering specify either General Electric or Emerson Motor.
- 4) See FM0160 parts price sheet for listing of parts prices.
- 5) Consult factory for pumps date coded prior to 5/96.
- 6) Shaft seal in Rev. A pumps may be replaced with Carbon - Silicon Carbide seal. Order part number from Rev. B column if customer desires this upgrade.
- 7) Shaft seal in Rev. A pumps may be replaced with Silicon Carbide - Silicon Carbide seal. Order part number from Rev. B column if customer desires this upgrade.

REPLACEMENT PARTS LIST FOR MODELS "G4290".

See back page for illustration.

				MODELS:	G4290-A	G4290-B	G4290-C
REF NO.		DESCRIPTION	QTY	NOTES	5/96 thru 6/01	7/01 thru 7/09	8/09 thru Current
1	•	Handle	1		217069	217069	217069
2		Cover & Cordage 16/4	1	5	011072	011072	011072
3	•	Cover-Mach & Handle Asm	1	5	011058	011058	011058
4	•	Gasket, Case/Cover	1		001011	001011	001011
5		Wire Pkg (2) Wires	1		N/A	N/A	N/A
6		Capacitor & Clamp Asm 20uF	1		N/A	N/A	N/A
7		Housing, Mtr-&Stator	1	1,3	003770	003770	019658
8		Bearing, Sleeve-Bronze	1		001012	001012	N/A
	•	Bearing, Radial			N/A	N/A	006703
9		Cordage, Terminal & Seal 50'	1	5	011070	011070	011070
10		Cordage, Terminal & Seal 50' Sensor	N/A		N/A	N/A	N/A
11		Seal, Cord Assembly & Strain Relief	1		011071	011071	011071
12	•	Plug, Test	3		034090	034090	034090
13	•	Seal, Thru Wall Terminal	3		003402	003402	003402
14		Rotor & Brg Asm	1		012675	012675	152403
15		Washer, Seal Locating & Snap Ring	1		011057	011057	011057
16	•	Bearing, 7303	1		009861	009861	009861
17	•	Seal, Mtr Hsg	2		001014	001014	001014
18	•	Oil, Dielectric	1		011066	011066	014118
19		Adapter-Mach. Upper	1		008862	008862	008862
20	•	Seal, Shaft-Upper	1	6	002430	014675	014675
	•	Seal, Shaft-Lower	1	7	002430	010992	010992
21		Adapter-Mach. Lower	1		008833	008833	008833
22		Impeller	1		011074	011074	011074
23		Flange Pkg 2" NPT	1		10-1305	10-1305	10-1305
		Flange Pkg 3" NPT	1		10-1306	10-1306	10-1306
24		Housing, Pump-Mach.	1		009349	009349	009349
25	•	Screw, #6-32 X .25RHM SL Tc Stlgr	3		001877	001877	001877
26	•	Screw, .25-20 X .75 HHm-SS	4		001916	001916	001916
27	•	Screw, .24-20 X 1 HHm-SS	4		007790	007790	007790
28	•	Screw, .5-13 X 2 HH Cap-SS	2		001909	001909	001909
29	•	Washer, SS 1.25Od X .562 Id X .078	2		002115	002115	002115
30	•	Screw, .313-18 X 1 HH Cap-SS	8		002608	002608	002608
31		Wire Asm - Mst Sensor	N/A		N/A	N/A	N/A
32	•	Seal, Sensor Cd Asm & Strain Relief	N/A		N/A	N/A	N/A
33		Spring, Bearing Preload	1		N/A	N/A	017192
34	•	Nut, Acorn	1		004351	004351	004351
☒		Rebuild Kit			011093	011093	019709

• Items included in Rebuild Kit.

☒ Not Shown in Illustration.

NOTES:

- 1) Motor housing, bearing, stator & term. (Item 7) is preassembled at the factory and must be replaced as a unit. Stator is permanently attached to the motor housing. Plug (Item 12); seal thru wall term. (Item 13) and bearing-upper (Item 8) are replaceable.
- 2) "NA" indicates not applicable.
- 3) When ordering specify either General Electric or Emerson Motor.
- 4) See FM0160 parts price sheet for listing of parts prices.
- 5) Consult factory for pumps date coded prior to 5/96.
- 6) Shaft seal in Rev. A pumps may be replaced with Carbon - Silicon Carbide seal. Order part number from Rev. B column if customer desires this upgrade.
- 7) Shaft seal in Rev. A pumps may be replaced with Silicon Carbide - Silicon Carbide seal. Order part number from Rev. B column if customer desires this upgrade.

REPLACEMENT PARTS LIST FOR MODEL "J4290".

See back page for illustration.

		MODELS:		J4290-A	J4290-B	J4290-C	
REF NO.		DESCRIPTION	QTY	NOTES	5/96 thru 6/01	7/01 thru 7/09	8/09 thru Current
1	•	Handle	1		217069	217069	217069
2		Cover & Cordage	1	5	011072	011072	011072
3	•	Cover-Mach & Handle Asm	1	5	011058	011058	011058
4	•	Gasket, Case/Cover	1		001011	001011	001011
5		Wire Pkg (2) Wires	1		N/A	N/A	N/A
6		Capacitor & Clamp Asm 20uF	1		N/A	N/A	N/A
7		Housing, Mtr-&Stator	1	1,3	004443	004443	019656
8		Bearing, Sleeve-Bronze	1		001012	001012	N/A
	•	Bearing, Radial		N/A	N/A	006703	
9		Cordage, Terminal & Seal 50'	1	5	011070	011070	011070
10		Cordage, Terminal & Seal 50' Sensor	N/A		N/A	N/A	N/A
11		Seal, Cord Assembly & Strain Relief	1		011071	011071	011071
12	•	Plug, Test	3		034090	034090	034090
13	•	Seal, Thru Wall Terminal	3		003402	003402	003402
14		Rotor & Brg Asm	1		012675	012675	152403
15		Washer, Seal Locating & Snap Ring	1		011057	011057	011057
16	•	Bearing, 7303	1		009861	009861	009861
17	•	Seal, Mtr Hsg	2		001014	001014	001014
18	•	Oil, Dielectric	1		011066	011066	014118
19		Adapter-Mach. Upper	1		008862	008862	008862
20	•	Seal, Shaft-Upper	1	6	002430	014675	014675
	•	Seal, Shaft-Lower	1	7	002430	010992	010992
21		Adapter-Mach. Lower	1		008833	008833	008833
22		Impeller	1		011074	011074	011074
23		Flange Pkg 2" NPT	1		10-1305	10-1305	10-1305
		Flange Pkg 3" NPT	1		10-1306	10-1306	10-1306
24		Housing, Pump-Mach.	1		009349	009349	009349
25	•	Screw, #6-32 X .25RHM SL Tc Stlgr	3		001877	001877	001877
26	•	Screw, .25-20 X .75 HHm-SS	4		001916	001916	001916
27	•	Screw, .24-20 X 1 HHm-SS	4		007790	007790	007790
28	•	Screw, .5-13 X 2 HH Cap-SS	2		001909	001909	001909
29	•	Washer, SS 1.25Od X .562 Id X .078	2		002115	002115	002115
30	•	Screw, .313-18 X 1 HH Cap-SS	8		002608	002608	002608
31		Wire Asm - Mst Sensor	N/A		N/A	N/A	N/A
32	•	Seal, Sensor Cd Asm & Strain Relief	N/A		N/A	N/A	N/A
33		Spring, Bearing Preload	1		N/A	N/A	017192
34	•	Nut, Acorn	1		004351	004351	004351
☐		Rebuild Kit			011093	011093	019709

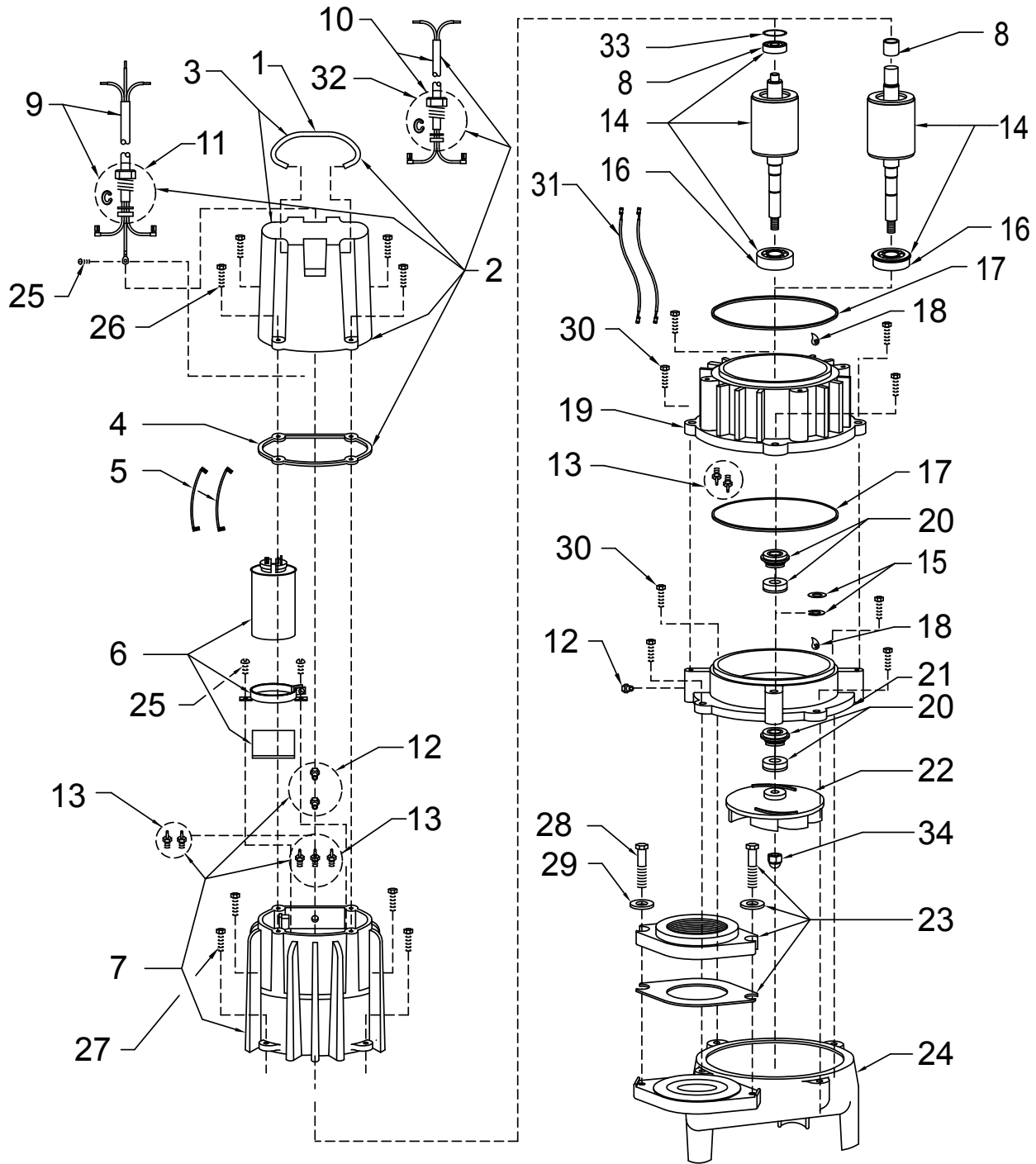
• Items included in Rebuild Kit.

☐ Not Shown in Illustration.

NOTES:

- 1) Motor housing, bearing, stator & term. (Item 7) is preassembled at the factory and must be replaced as a unit. Stator is permanently attached to the motor housing. Plug (Item 12); seal thru wall term. (Item 13) and bearing-upper (Item 8) are replaceable.
- 2) "NA" indicates not applicable.
- 3) When ordering specify either General Electric or Emerson Motor.
- 4) See FM0160 parts price sheet for listing of parts prices.
- 5) Consult factory for pumps date coded prior to 5/96.
- 6) Shaft seal in Rev. A pumps may be replaced with Carbon - Silicon Carbide seal. Order part number from Rev. B column if customer desires this upgrade.
- 7) Shaft seal in Rev. A pumps may be replaced with Silicon Carbide - Silicon Carbide seal. Order part number from Rev. B column if customer desires this upgrade.

REPLACEMENT PARTS ILLUSTRATION FOR ALL 4290 MODELS



SK1641



MAIL TO: P.O. BOX 16347 • Louisville, KY 40256-0347
 SHIP TO: 3649 Cane Run Road • Louisville, KY 40211-1961
 (502) 778-2731 • 1 (800) 928-PUMP • FAX (502) 774-3624

Visit our web site:
zoellerpumps.com

Trusted. Tested. Tough.™

© Copyright 2014 Zoeller Co. All rights reserved.